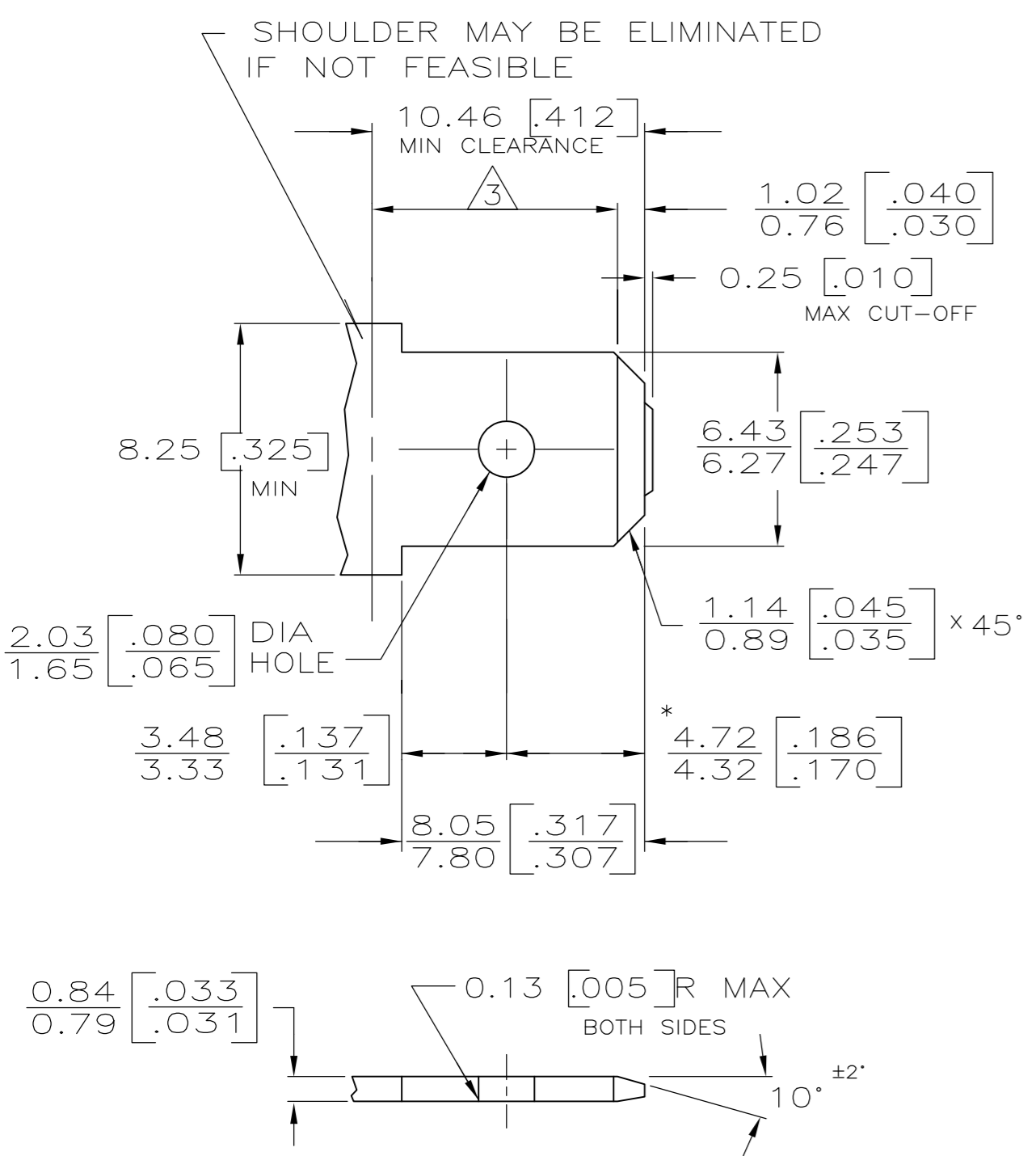


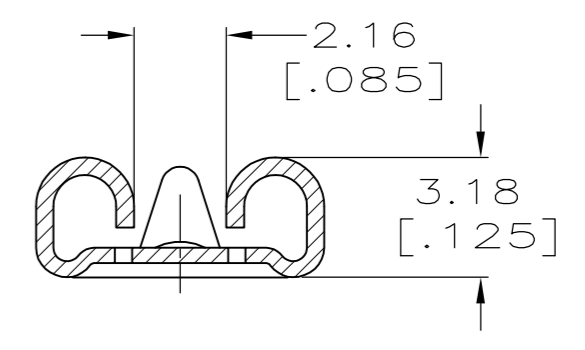
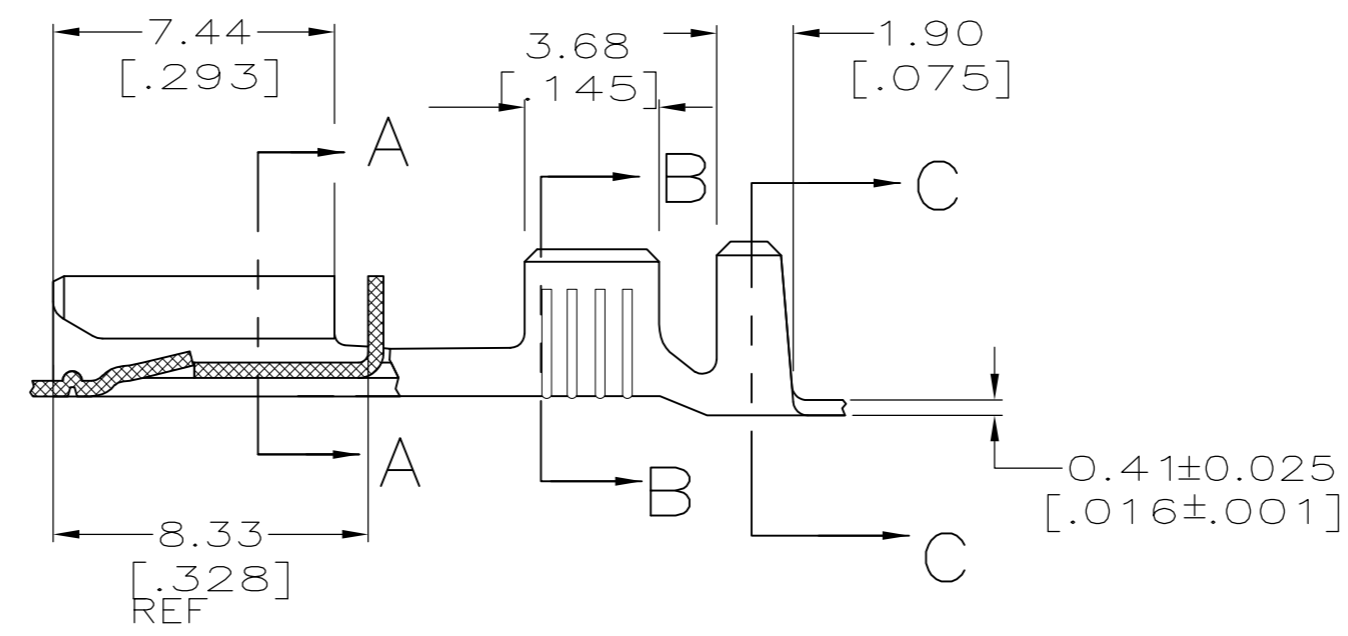
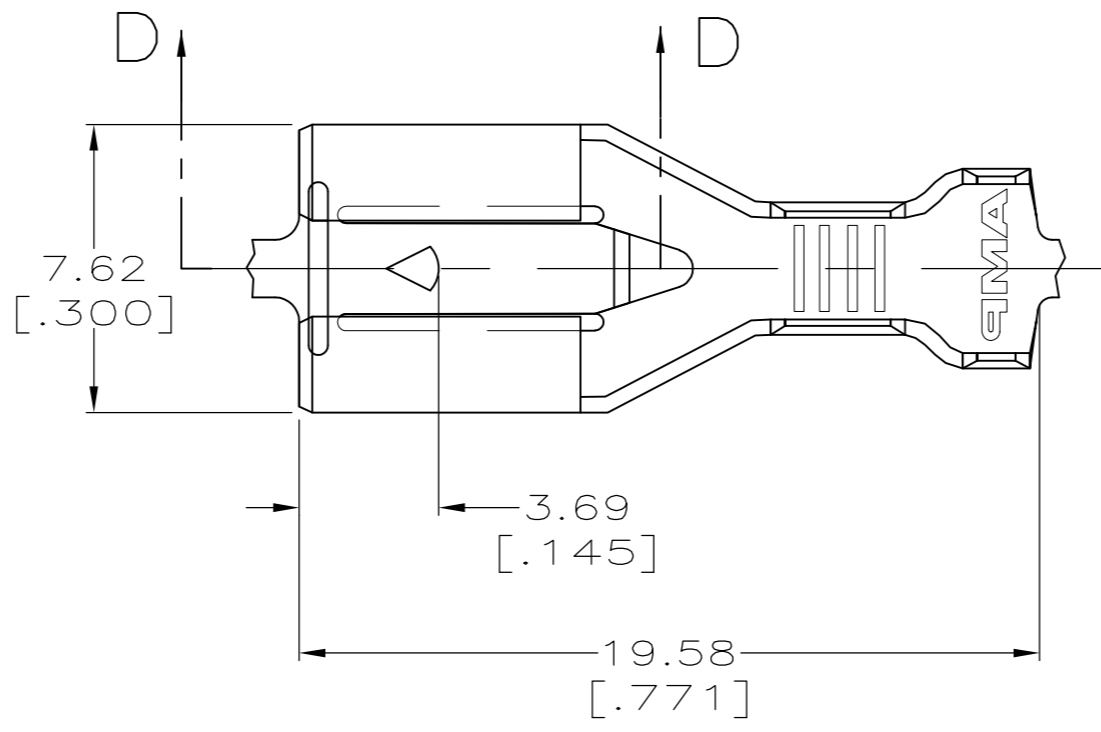
THIS DRAWING IS UNPUBLISHED. RELEASED FOR PUBLICATION
 © COPYRIGHT - By - ALL RIGHTS RESERVED.

LOC	DIST	REVISIONS			
P	LTR	DESCRIPTION	DATE	DWN	APVD
AF	50	N1	REVISED PER ECO - 13-006421	12APR13	JR KR

SUGGESTED MATING TAB

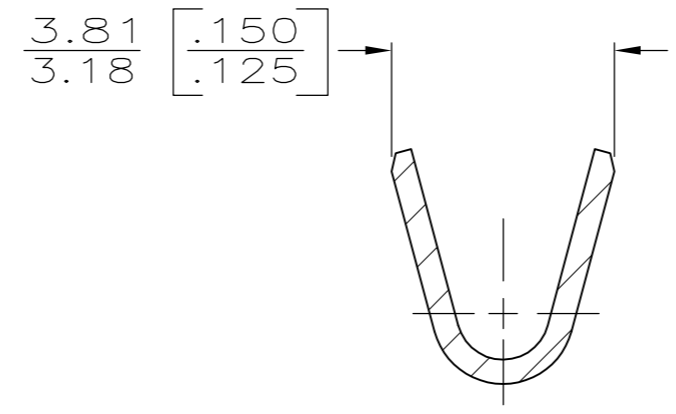


- 1 MATL: 1/2H BRASS OR NICKEL PL STEEL.
 - 2 NO BURRS PERMISSIBLE AT HOLE.
 - 3 MUST BE FLAT WITHIN 0.076 [0.003] OVER THIS LENGTH.
 - 4 TIN PLATING IS REQUIRED ON BRASS WHEN TERMINAL TEMP. IS OVER 225° F
 - 5 HOLE MUST BE SYMMETRICAL ABOUT TAB C WITHIN 0.076 [0.003]
- * TO BE USED ONLY WHEN SHOULDER IS ELIMINATED.

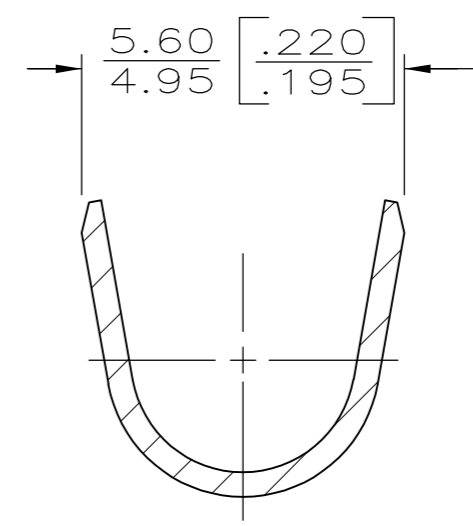


SECTION A-A

SECTION D-D



SECTION B-B



SECTION C-C

FINISH	INSULATION RANGE	WIRE SIZE	PART NO
PRE-TIN PL.	2.29-3.94 [.090-.155] DIA	[#18-#14] AWG	63854-4
TIN PLATE	2.29-3.94 [.090-.155] DIA	[#18-#14] AWG	63854-3
TIN PLATE	2.29-3.94 [.090-.155] DIA	[#18-#14] AWG	63854-2
-	2.29-3.94 [.090-.155] DIA	[#18-#14] AWG	63854-1

THIS DRAWING IS A CONTROLLED DOCUMENT.		DWN	JR RUTH	4/28/95	
DIMENSIONS: mm [INCHES]		CHK	MS FEHER	4/28/95	
TOLERANCES UNLESS OTHERWISE SPECIFIED:		APVD	R REINER	4/28/95	
0 PLC ± - 1 PLC ± - 2 PLC ± 0.25 [.010] 3 PLC ± - 4 PLC ± - ANGLES ± -		PRODUCT SPEC			
MATERIAL	BRASS	FINISH	SEE TABLE	114-2061	NAME: RECEPTACLE, POSITIVE LOCK, 6.35 [.250] SERIES SIZE: A2 CAGE CODE: 00779 DRAWING NO: C-63854 RESTRICTED TO: - WEIGHT: - CUSTOMER DRAWING SCALE: 5:1 SHEET: 1 OF 1 REV: N1